

How to Use Voice Search Function



Step1: Long press the () button and wait for the MIC icon on the screen to start flashing.

Step2: When the MIC icon is flashing, say to the radio:

BBC

VOA

voice of America

BBC World Service

Tips: Please say the name of the radio station only, so that the search results will be more accurate.

7

Important function tips

How to connect Wi-Fi?

Press()button into the Wi-F setting .Choose the Wi-Fi that you want to connect,then input the Password with Virtual Keyboard, you need to restart the radio to remember the password

How to add Streaming Radio Station?

Please press the (), then select "Add streaming Stations," and follow the on-screen instructions to add streaming Stations. You can add streaming Stations in two ways:

1. Open the website: <https://user.choyongradio.com>, enter the verify code displayed on screen, then you can add streaming Stations through your computer.
2. You can also use your smartphone to scan the QR Code displayed on screen to add streaming Stations.

8

Trouble Shooting

Problem	Solutions
Connect to the network successfully,but unable to play particular stations	<ul style="list-style-type: none"> • The station is not broadcasting at this time of the day,remember it maybe located in a different time zone. • The station has too many people trying to .The station server capacity is not large enough. • The internet connection between the radio and the radio station server is too slow or unstable to support the date rate of broadcast. • The link of the radio is out of the date,please contact us to update the station list. • The link of the radio is out of the date,please contact us to update the station list • This radio only supports 2.4G W-Fi and does not support 5G Wi-Fi. • Check the encryption protocol of the router, as this radio only supports WAP/WAP2 and does not support WAP2/WAP3. • Currently,The Radio does not support Wi-Fi extenders.
The radio go freeze or no response	<ul style="list-style-type: none"> • Forced restart the radio,Press the () and hold for 5 seconds until the radio restarted (show white screen),then release the button.

9

Problem	Solutions
The radio screen is black and no response, regardless of any button operation/charging	<ul style="list-style-type: none"> • Hold down the power button for 30 seconds, release it, then hold down the power button again for 5 seconds until the screen lights up, and then release it. The machine should now be functioning normally. • If it still doesn't work, please check if the battery need charging
Can not connect to Wi-Fi network	<ul style="list-style-type: none"> • Confirm that the Wi-Fi can access the internet (i.e.can browse the web) using the same network.
Insufficient Wi-Fi signal strength	<ul style="list-style-type: none"> • Check the distance to router,see if a computer/mobile phone can connect to the network in this location,if the signal is weak,please optimize the distance of the router's location.

10

More details and operation tips,please check the instruction videos on Youtube

<https://www.youtube.com/@choyongradio>

24 hour service team please contact

choyongradio@gmail.com

Official Website

www.choyongradio.com



Facebook



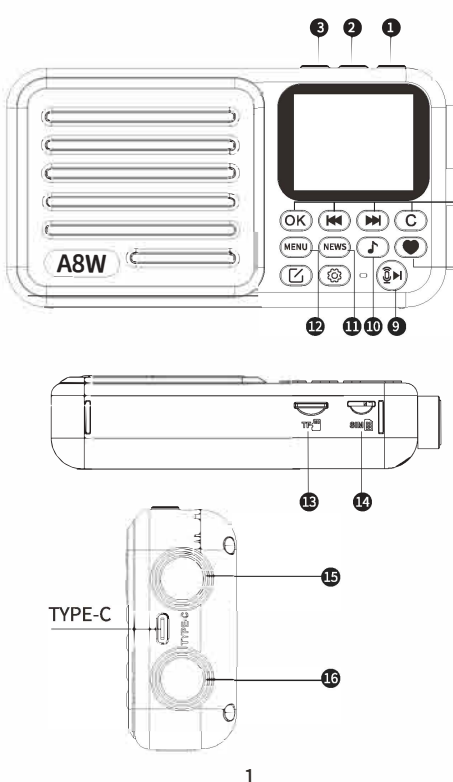
Youtube

11



A8W

User Manual
Portable Internet Radio



1.ON/OFF Key

Press 2 seconds to turn the radio ON/OFF,press 5 seconds till the white screen appeared to force restart the radio.

1.1 Received the radio and found that it had no power, what should you do

To meet the requirements of air transportation, the voltage of the battery should not exceed 3.65V. The battery voltage of the radio you received is relatively low. I suggest you charge it for a while before using it. Due to the actual capacity of the battery being about 2000mAh, it will require a longer charging time.

2.FM mode Key

A short press to enter FM mode. After Entering FM Mode for the first time, the radio will automatically search for stations. After the search is complete, press the FM key for 2 seconds will activate the automatic search function.

3.TF card (SD Card) mode Key

A short press to enter TF card mode.The radio will automatically play the music stored in the TF card. The radio need to restart after the TF-Card inserted.

4.Confirm button

Press this button to confirm what you choose.

2

5. Previous Key

Press this key to shift to previous Song/Channel.

6. Next Key

Press this key to shift to next Song/Channel.

7. Return Key

Press this key to return to the previous menu level.

8. Favorites

While playing, press this key to save your favorite radio stations, When not playing press this key to view your favorite stations.

9. Pause&Voice search Key

Press this key to Pause/Replay.Long press this key to activate the voice search function.

10. Music stations shortcut key

Press this key will present a list of internet radio stations labeled with music.

11.News stations shortcut key

Press this key will present a list of internet radio stations labeled with NEWS.

12.Menu button

Press Menu button to open the main menu.

3

13.TF card slot

After insert a TF-Card and restart the radio,you can play the music that prepared in TF-Card.Supports a maximum of 32 GB TF-Card. You can copy music to TF-Card or delete music by connecting the radio to a computer menus.

14.SIM card slot

Support Nano Sim Card,you need to restart the radio after insert SIM-Card.

15.Multifunctional knob

- (1) In FM mode use for tuning stations
- (2) In internet radio mode use for switching internet radio stations.
- (3) A short press to confirm.
- (4) In menu interface use to select and confirm menus.

16.Volume control with switch

Turing to increase or decrease volume. Rotate counter-clockwise until hear a 'click' sound,the radio will enter sleep mode.turn on the volume switch the machine will continue to play.

4

Instructions for user

1.Getting started

A8W is powered by a 2000mAh rechargeable lithium battery. A USB-Type-C cable is supplied in the package. Press and hold the ()button to power on,Press and hold the same button to shut down the radio

2.Charging battery

To charge the battery,connect the Type-C cable to 5V power adapter,you can use any mobile phone charger,the mobile quick charge protocol ensures that the output voltage of the charger will adjust to 5V when charging to radio,but **DO NOT USE THE CHARGER OF IPAD OR COMPUTER!** **Note:**The charging might take much longer to complete if the radio is playing while charging.

3.Firmware update

There may be firmware release to upgrade features of the radio from time to time. Check the update information regularly to keep your radio with the latest firmware.

Enter setting---version info menu to check the latest firmware During the firmware upgrade, a TF Card of reliable quality and no more than 32GB capacity needs to be inserted.

5

Caution: Do not do any operation during the upgrade progress!!! Or the radio will be damaged!

Product specification

Speaker	5W
Battery:	Rechargeable lithium battery 2000mAh
Network:	4G network Band supported: : FDD Band2/3/4/5/; TDD Band38/39/40/41.
TF card:	Maximum 32 GB
Earphone:	Type-C jack

Model:	A8W	Colour:	Space gray
Weight:	195g	Size:	139*72*32mm
FM	Frequency	88-108MHz	
	Step	100KHz	

6